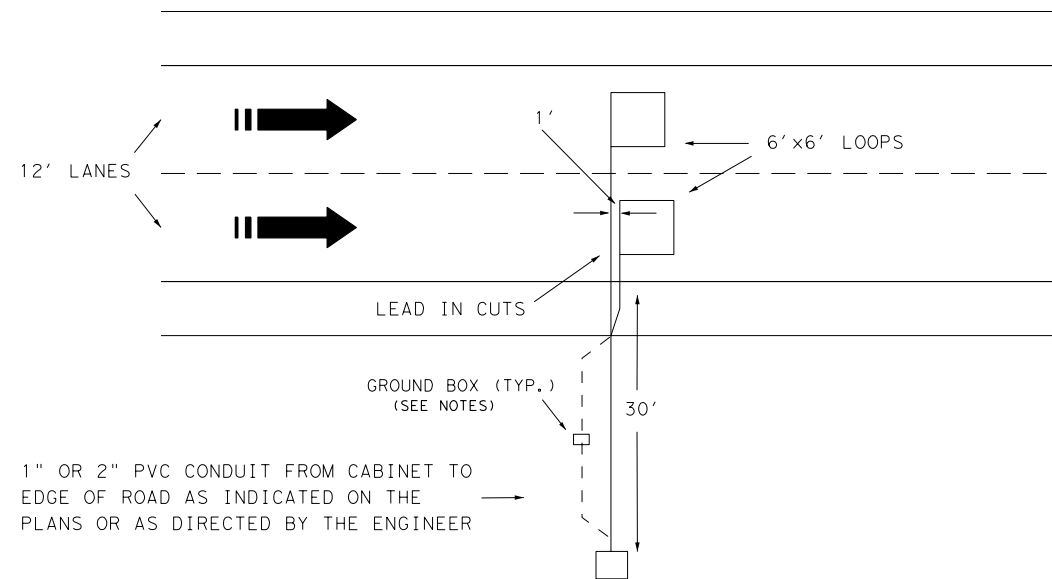
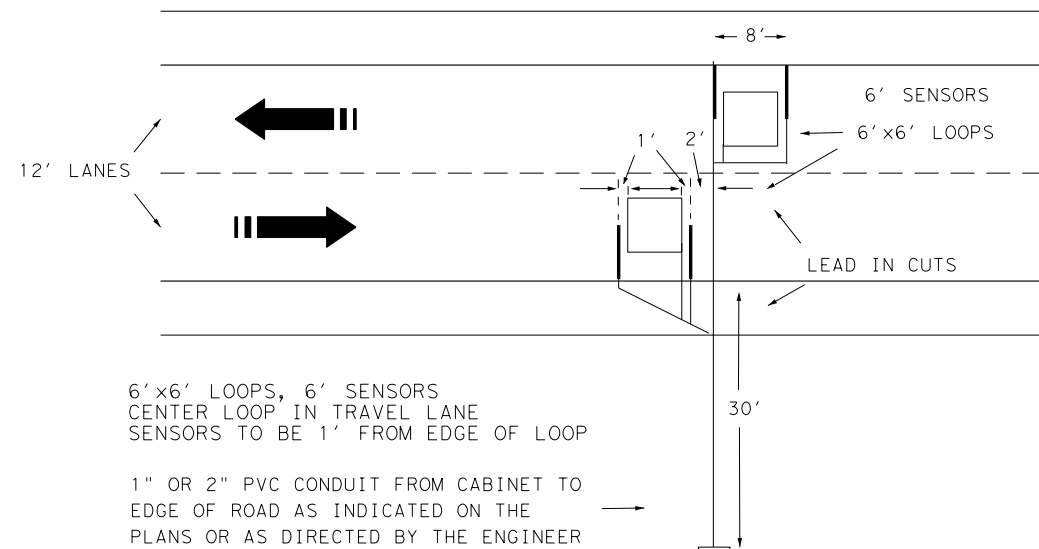


DISCLAIMER
 The use of this standard is governed by the "Texas Engineering Practice Act". No warranty of any kind is made by TxDOT for any purpose whatsoever. TxDOT assumes no responsibility for the conversion of this standard to other formats or for incorrect results or damages resulting from its use.

TYPICAL CLASS II LOOP ONLY
 SITE EXAMPLE



TYPICAL CLASS II PIEZOELECTRIC
 SITE EXAMPLE



DRAFT

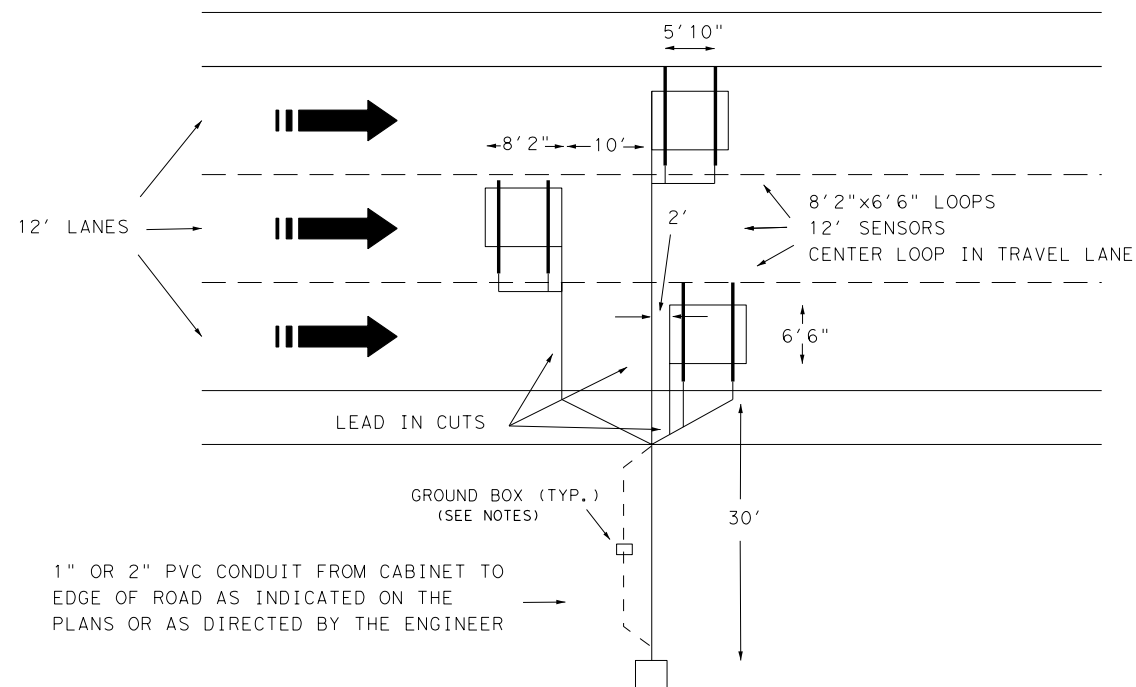
GENERAL NOTES:

For loops and piezoelectric sensors within 3 undivided lanes of the cabinet, run wire directly to cabinet with no splices.

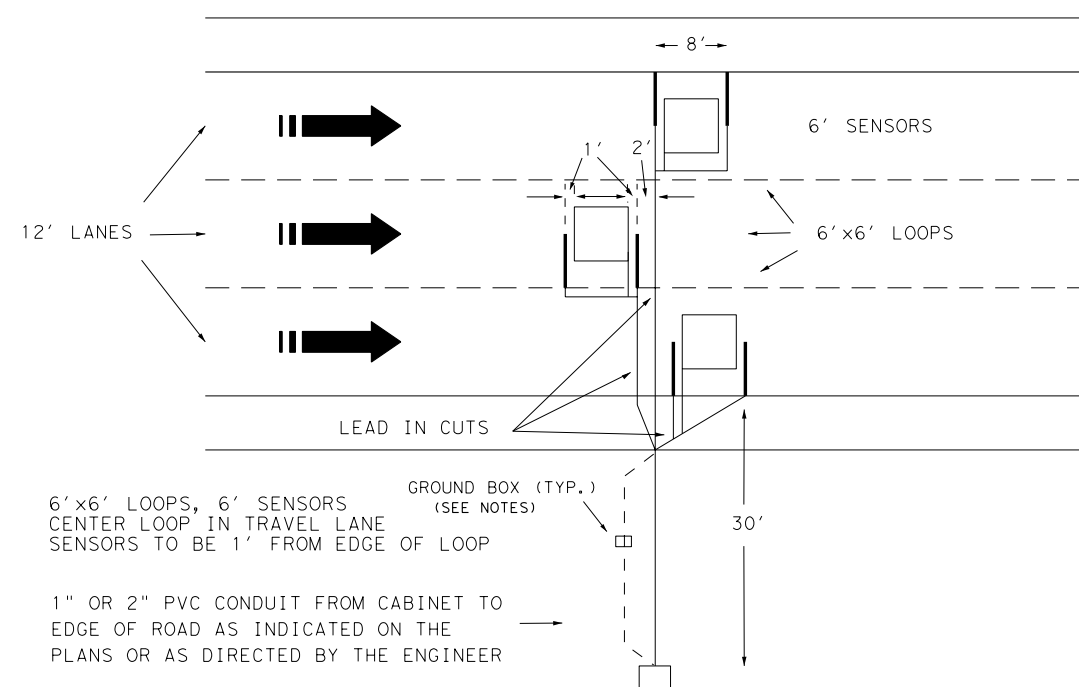
Otherwise, run wire into ground box and then directly to cabinet with only one splice between loop or sensor and cabinet.

No other splices will be permitted.

TYPICAL CLASS I PIEZOELECTRIC
 SITE EXAMPLE



TYPICAL CLASS II PIEZOELECTRIC
 MULTIPLE LANE SITE EXAMPLE



TRAFFIC DATA COLLECTION
 PLACEMENT DETAILS

TDC (2) -05

REVISIONS	STATE DISTRICT	FEDERAL REGION	FEDERAL AID PROJECT	SHEET
7-05		6		
	COUNTY	CONTROL	SECTION	JOB
				HIGHWAY