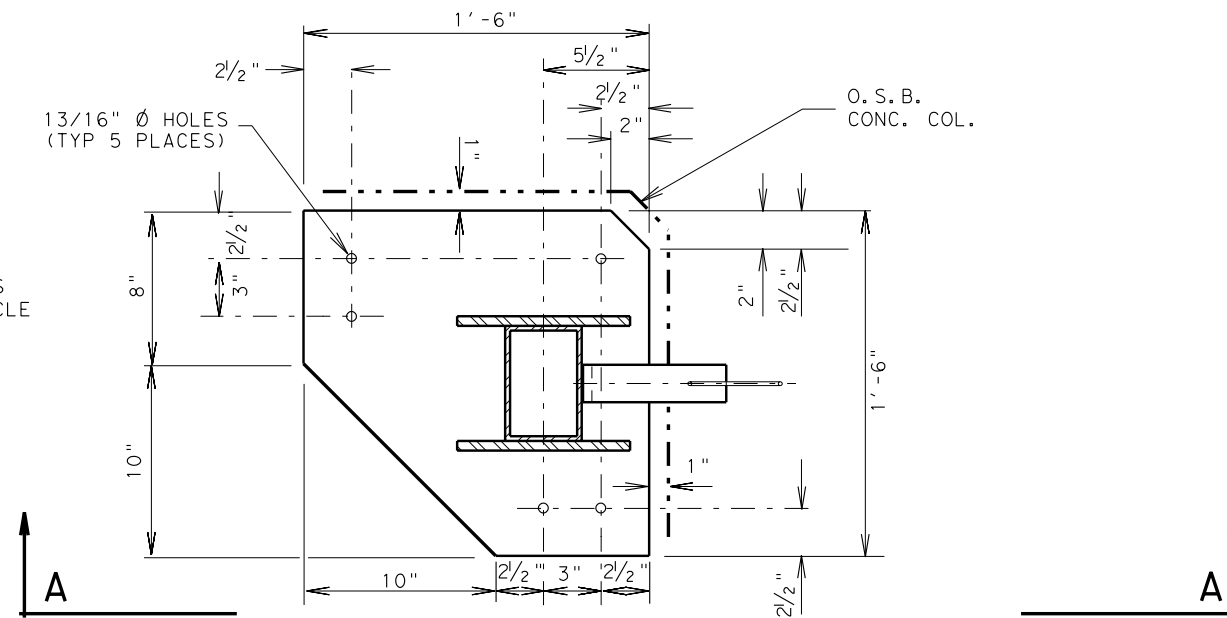
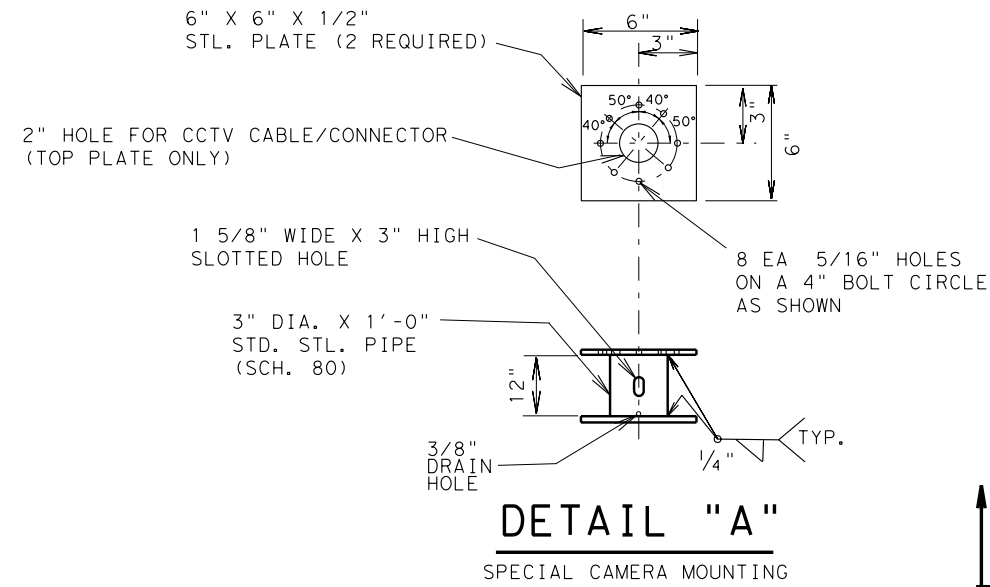
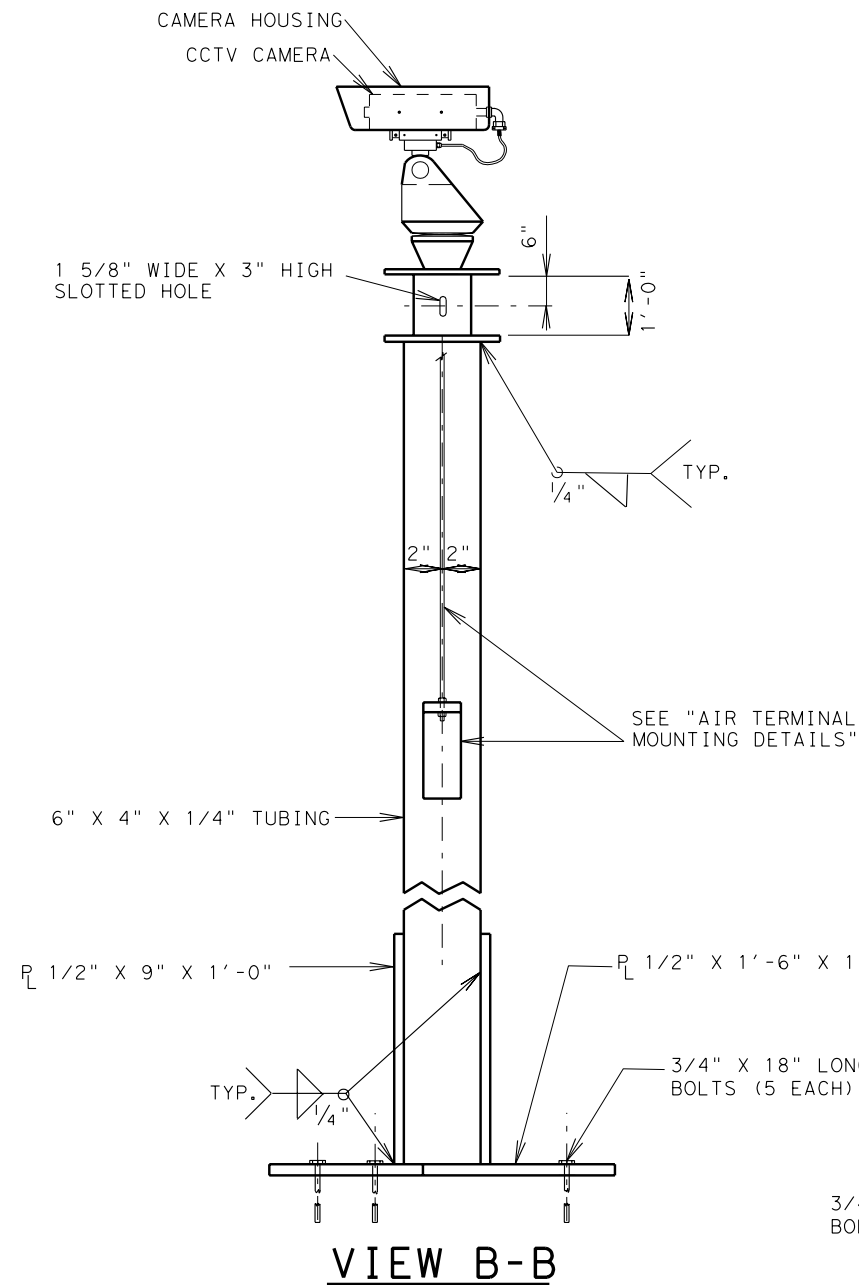


NOTE:

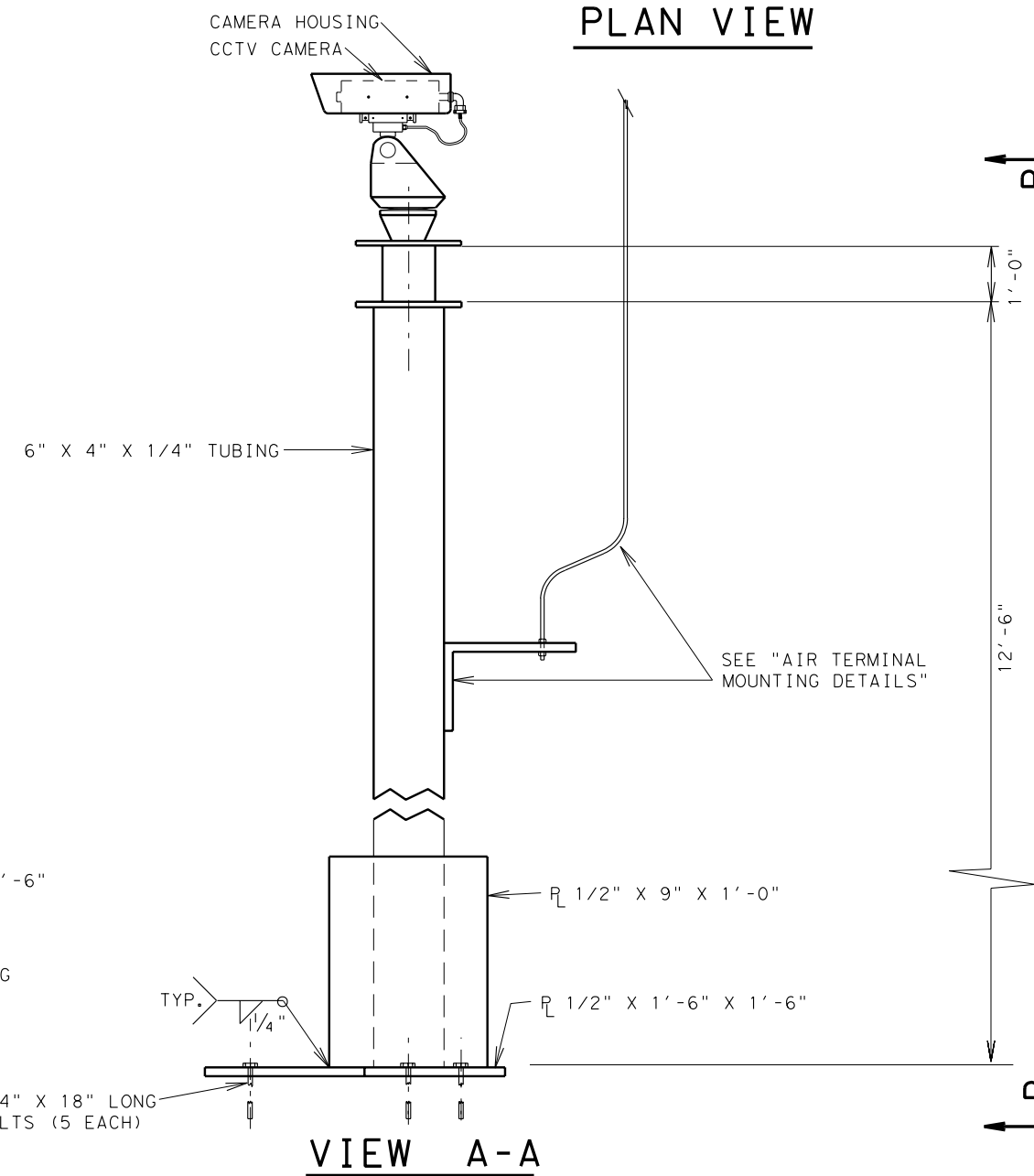
1. THE STEEL PLATES SHALL BE ASTM A36
2. ANY WELDED JOINTS SHALL BE PAINTED WITH A GALVANIZED COMPOUND MEETING FEDERAL SPECIFICATION ASTM A-780. ALL WELDS SHALL CONFORM TO ITEM 448 (STRUCTURAL WELDING).
3. ALL METAL SHALL BE GALVANIZED AND CONFORM TO ITEM 442 (METAL FOR STRUCTURES).
4. HIGH STRENGTH EPOXY SHALL BE USED TO ANCHOR THE ANCHOR BOLTS IN PLACE, OR AN HVA ADHESIVE SYSTEM BY HILTI OR EQUAL MAY ALSO BE USED AS DIRECTED BY THE ENGINEER.
5. FOR PAYMENT, ALL MATERIALS USED FOR THE ERECTION OF THE CCTV CAMERA MOUNT WILL NOT BE PAID FOR SEPERATELY, BUT SHALL BE CONSIDERED SUBSIDIARY TO THE ITEM "CCTV FIELD EQUIPMENT".



PLAN VIEW



VIEW B-B



VIEW A-A

**SPECIAL
CAMERA & AIR TERMINAL
MOUNTING DETAILS**

© 2004 Texas Department of Transportation

REV. 02-14-03
REV. 02-28-02

| FED. RD. DIV. NO. | FEDERAL AID PROJECT NO. | SHEET NO. |
|-------------------|-------------------------|-------------|
| 6 | | |
| STATE | DIST. | COUNTY |
| TEXAS | SAT | BEXAR |
| CONT. | SECT. | JOB |
| | | HIGHWAY NO. |

| LEVELS DISPLAYED | ACC: |
|------------------|------|
| 1 | 1 |
| 2 | 2 |
| 3 | 3 |
| 4 | 4 |
| 5 | 5 |
| 6 | 6 |
| 7 | 7 |
| 8 | 8 |
| 9 | 9 |
| 10 | 10 |
| 11 | 11 |
| 12 | 12 |
| 13 | 13 |
| 14 | 14 |
| 15 | 15 |
| 16 | 16 |
| 17 | 17 |
| 18 | 18 |
| 19 | 19 |
| 20 | 20 |
| 21 | 21 |
| 22 | 22 |
| 23 | 23 |
| 24 | 24 |
| 25 | 25 |
| 26 | 26 |
| 27 | 27 |
| 28 | 28 |
| 29 | 29 |
| 30 | 30 |
| 31 | 31 |
| 32 | 32 |
| 33 | 33 |
| 34 | 34 |
| 35 | 35 |
| 36 | 36 |
| 37 | 37 |
| 38 | 38 |
| 39 | 39 |
| 40 | 40 |
| 41 | 41 |
| 42 | 42 |
| 43 | 43 |
| 44 | 44 |
| 45 | 45 |
| 46 | 46 |
| 47 | 47 |
| 48 | 48 |
| 49 | 49 |
| 50 | 50 |