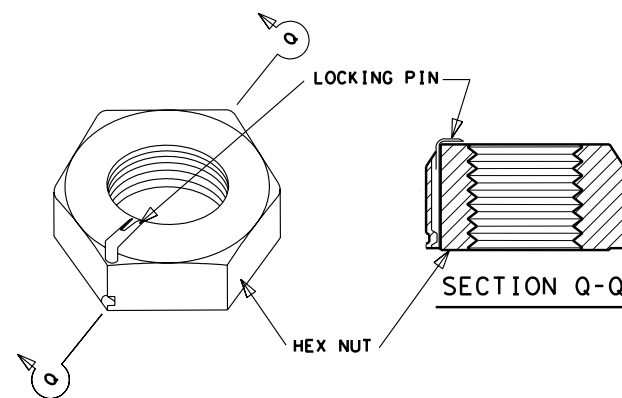


NOTE: CONDUIT CLAMP SPACING SHALL BE A MAXIMUM OF 5'.

CONDUIT CLAMP DETAIL

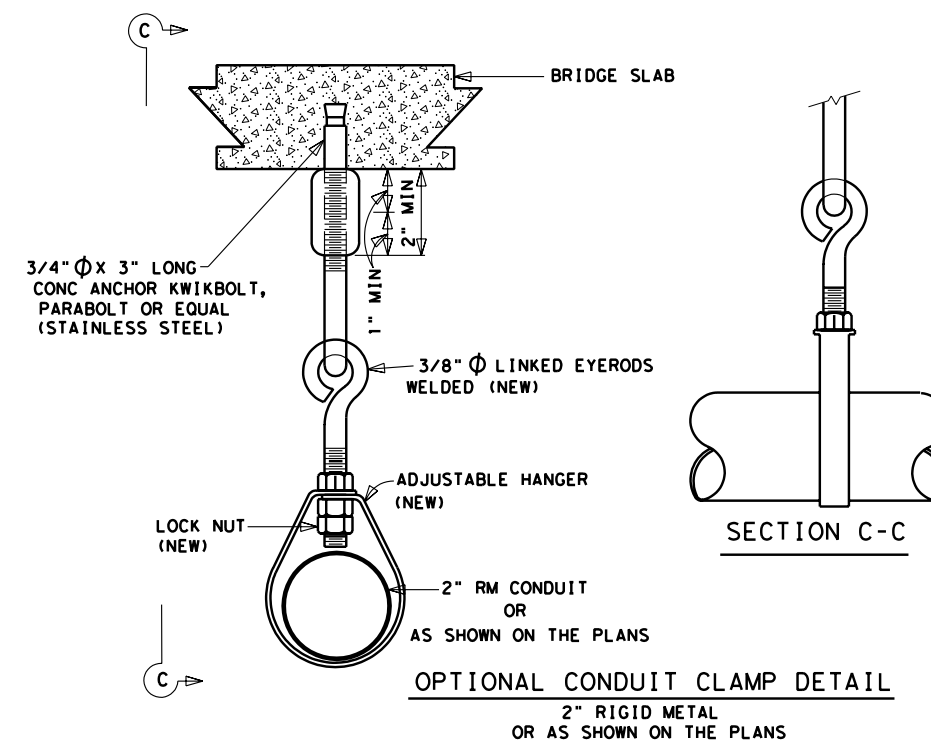
2" RIGID METAL
OR
AS SHOWN ON THE PLANS



LOCK NUT DETAIL

NOTE: LOCK NUTS WITH NON-REVERSIBLE HIGH TENSILE STRENGTH STAINLESS STEEL LOCKING PINS SHALL BE USED ON ANCHOR BOLTS. LOCK NUTS SHALL BE COATED WITH ZINC RICH PAINT.

"DETAIL A"

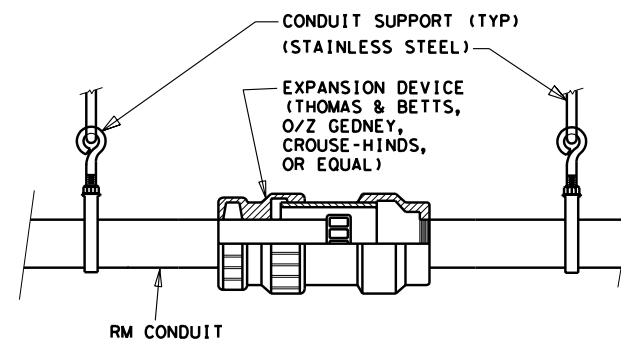
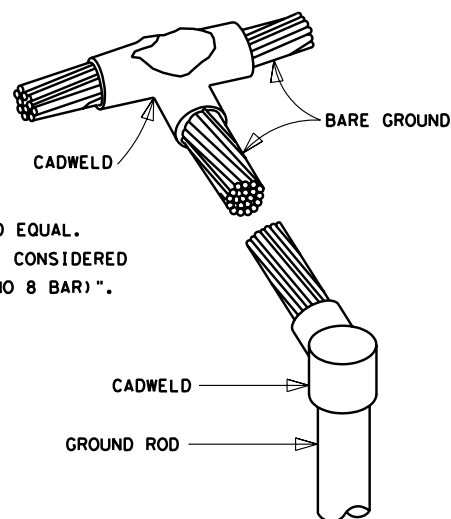


OPTIONAL CONDUIT CLAMP DETAIL

2" RIGID METAL
OR AS SHOWN ON THE PLANS

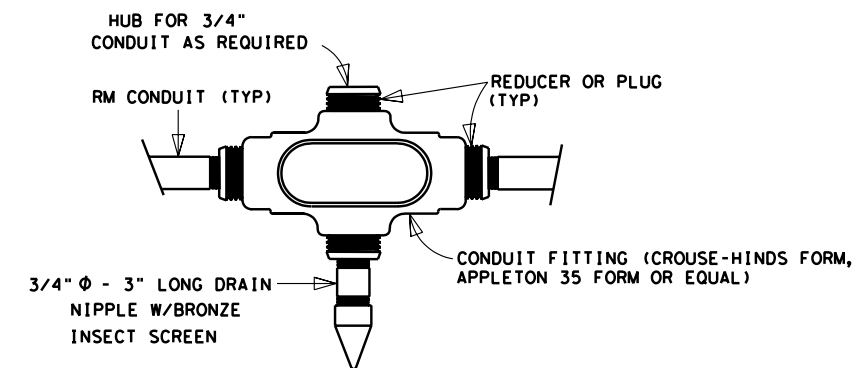
ALL GROUNDING CONNECTIONS SHALL BE CADWELD OR APPROVED EQUAL. THIS WORK SHALL NOT BE PAID FOR DIRECTLY, BUT SHALL BE CONSIDERED AS INCIDENTAL TO THE UNIT PRICE BID FOR "ELEC CONDR (NO 8 BAR)".

GROUNDING CONNECTION DETAIL



EXPANSION DEVICE DETAIL

(SEE LAYOUT SHEET FOR CONDUIT SIZE)



CONDUIT JUNCTION DETAIL

(2" RIGID METAL)

GENERAL NOTES:

1. THE INTERVAL BETWEEN CONDUIT SPACERS FOR INSTALLATION SHALL BE A MAXIMUM OF TEN FEET (10').
2. STEEL CASING SHALL NOT BE PAID FOR DIRECTLY BUT SHALL BE CONSIDERED INCIDENTAL TO ITEM 618 "CONDUIT".
3. THE RIGID METAL CONDUIT SHALL BE CAPPED BEFORE PUSHING STEEL SLEEVE.
4. THE EXPANSION DEVICE SHALL NOT BE PAID FOR DIRECTLY BUT SHALL BE CONSIDERED INCIDENTAL TO ITEM 618 "CONDUIT".

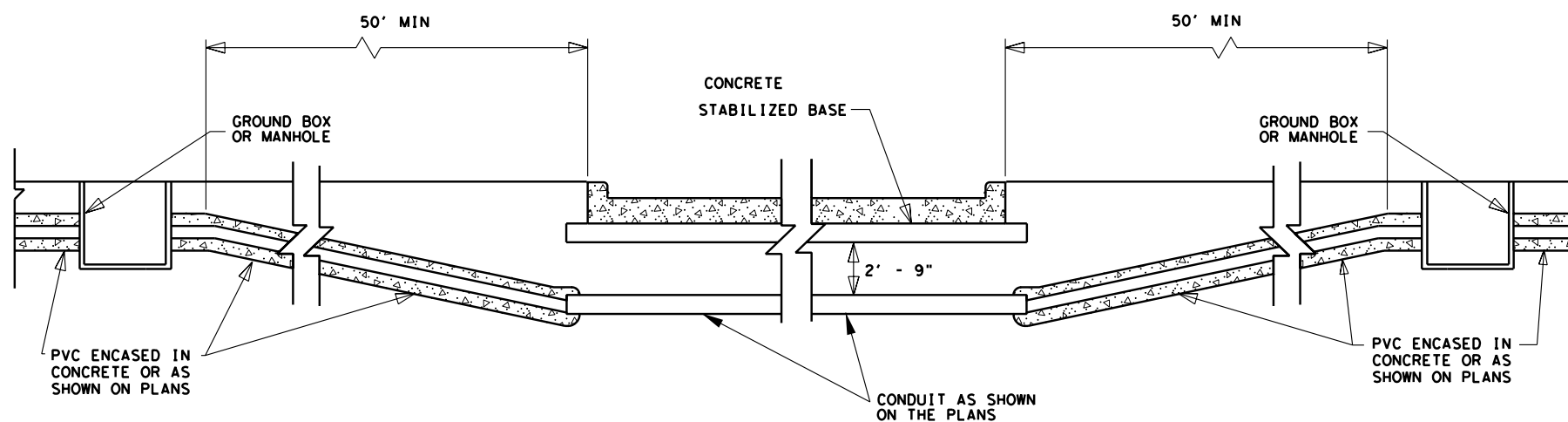
MISCELLANEOUS CONDUIT DETAILS

© 2005 Texas Department of Transportation

REV. 4-29-05
REV. 11-27-02
REV. 1-5-98

FED. RD. DIV. NO.	FEDERAL AID PROJECT NO.			SHEET NO.
6				
STATE	DIST.	COUNTY		
TEXAS				
CONT.	SECT.	JOB	HIGHWAY NO.	

TYPICAL CONDUIT INSTALLATION JACKING OR BORING BENEATH EXISTING ROADWAY



LEVELS DISPLAYED
1 2 3 4 5 6 7 8 9 10 11 12 13 14 15 16 17 18 19 20 21 22 23 24 25 26 27 28 29 30 31 32 33 34 35 36 37 38 39 40 41 42 43 44 45 46 47 48 49 50 51 52 53 54 55 56 57 58 59 60 61 62 63
\$TIMES
\$DATES
\$FILES
ACC:
FILE: .DGN