

CONTRACTOR'S RESPONSIBILITY WITHIN TRANSGUIDE OPERATIONS CENTER

NOTE:
 ALL CABLING, CONNECTORS, SHELVES, CIRCUIT PACKS, DSX CROSS CONNECTS, AND PROGRAMMING SHALL BE FURNISHED AND INSTALLED BY THE CONTRACTOR. THIS PROJECT REQUIRES THE MODIFICATION TO CABLE TRAYS TO SUPPORT THE DSX CROSS CONNECT FIELD WHICH SHALL BE THE RESPONSIBILITY OF THE CONTRACTOR. MATERIALS AND LABOR SHALL BE SUBSIDIARY TO THE VARIOUS BID ITEMS AND NO DIRECT PAYMENT SHALL BE MADE. ALL EQUIPMENT SHALL BE SUBMITTED TO ENGINEER FOR APPROVAL. JUMPERS SHALL BE INSTALLED SO AS TO PROVIDE THE MOST DIRECT ROUTE BETWEEN THE CABINETS. CABLE SHALL BE CUT TO LENGTH AND TERMINATED. SLACK (ACCESS) CABLE SHALL NOT BE PLACED IN THE TRAYS OR DOUBLED BACK IN THE TRAYS.

COMMUNICATION NETWORK LAYOUT SHEET 2 OF 3

© 2004 Texas Department of Transportation

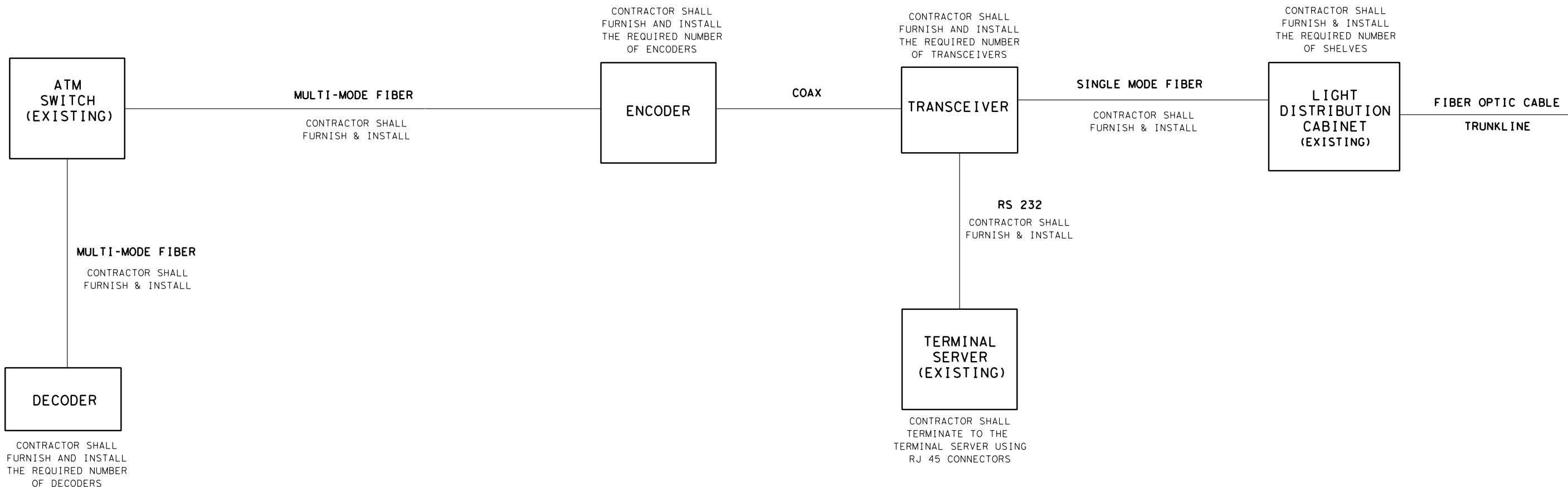
FED. RD. DIV. NO.	FEDERAL AID PROJECT NO.			SHEET NO.
6				
STATE	DIST.	COUNTY		
TEXAS	15	BEXAR		
CONT.	SECT.	JOB	HIGHWAY NO.	

4-23-02
 2-20-02
 12-18-01
 9-24-98
 7-6-98

LEVELS DISPLAYED
 1 2 3 4 5 6 7 8 9 10 11 12 13 14 15 16 17 18 19 20 21 22 23 24 25 26 27 28 29 30 31 32 33 34 35 36 37 38 39 40 41 42 43 44 45 46 47 48 49 50 51 52 53
 ACC: FILE: .DGN
 \$TIME\$ \$DATE\$ \$FILE\$

FTM: 10-410 \trcom1.dgn

PLAN



CONTRACTOR'S RESPONSIBILITY WITHIN TRANSGUIDE OPERATIONS CENTER

NOTE:
 ALL CABLING, CONNECTORS, SHELVES, CROSS CONNECTS, AND PROGRAMMING SHALL BE FURNISHED AND INSTALLED BY THE CONTRACTOR. THIS PROJECT REQUIRES THE MODIFICATION TO CABLE TRAYS TO SUPPORT THE CROSS CONNECT FIELD WHICH SHALL BE THE RESPONSIBILITY OF THE CONTRACTOR. MATERIALS AND LABOR SHALL BE SUBSIDIARY TO THE VARIOUS BID ITEMS AND NO DIRECT PAYMENT SHALL BE MADE. ALL EQUIPMENT SHALL BE SUBMITTED TO ENGINEER FOR APPROVAL.

COMMUNICATION NETWORK
LAYOUT
 SHEET 3 OF 3

© 2004 Texas Department of Transportation

FED. RD. DIV. NO.	FEDERAL AID PROJECT NO.		SHEET NO.
6			
STATE	DIST.	COUNTY	
TEXAS	15	BEXAR	
CONT.	SECT.	JOB	HIGHWAY NO.

LEVELS DISPLAYED
 1 2 3 4 5 6 7 8 9 10 11 12 13 14 15 16
 ACC: \$ TIME \$ \$ DATE \$ \$ FILE \$ \$
 1 2 3 4 5 6 7 8 9 10 11 12 13 14 15 16
 FILE: . DGN
 FTM: 10-410 \trcom1.dgn