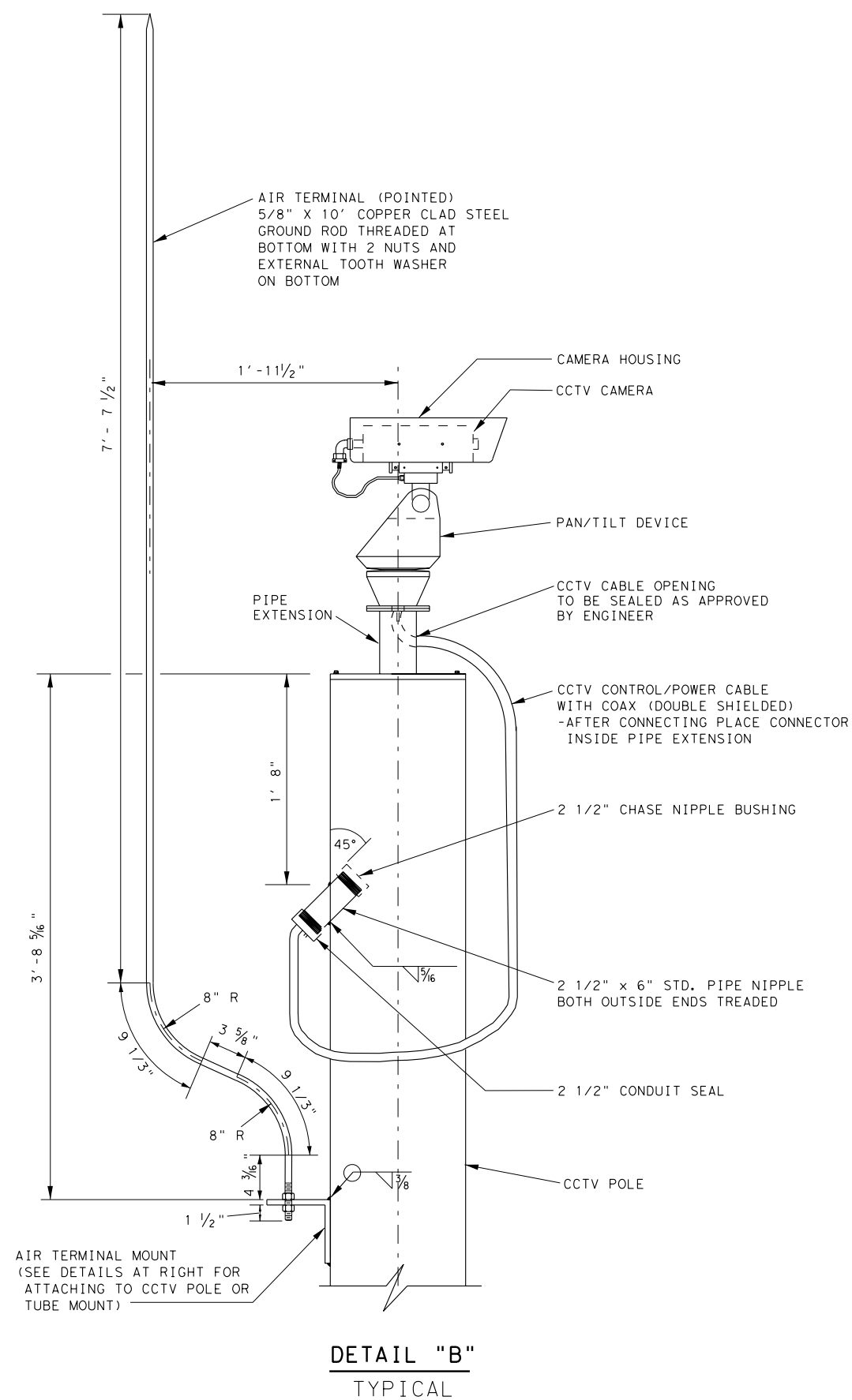


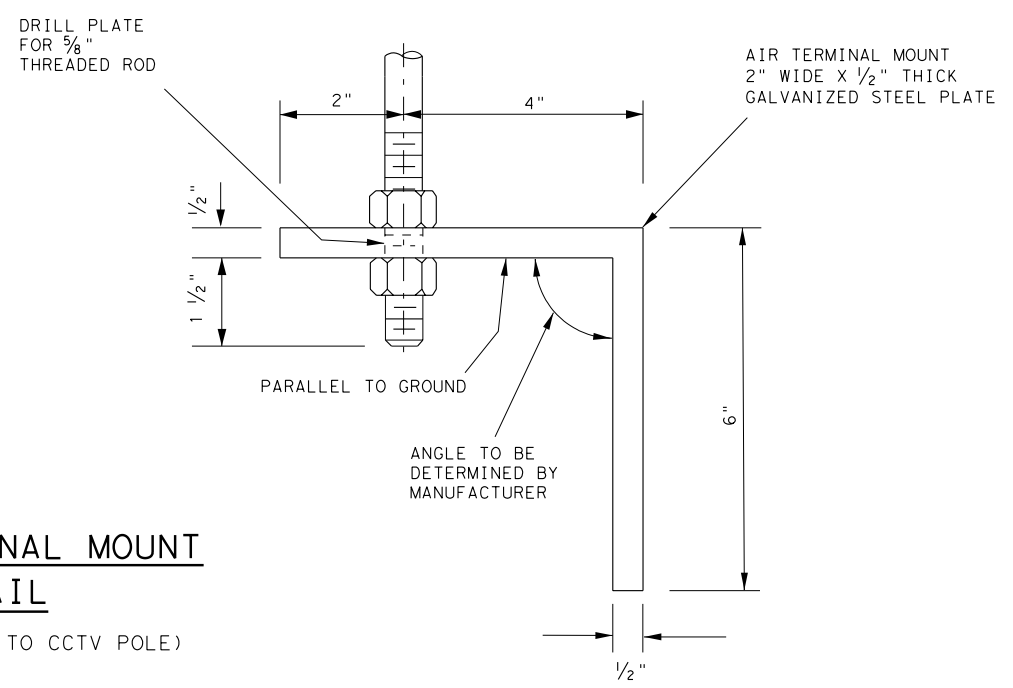
LEVELS DISPLAYED  
 1 2 3 4 5 6 7 8 9 10 11 12 13 14 15 16  
 8TIMES  
 8DATES  
 8FILES  
 ACC:  
 1 2 3 4 5 6 7 8 9 10 11 12 13 14 15 16  
 33 34 35 36 37 38 39 40 41 42 43 44 45 46  
 47 48 49 50 51 52 53 54 55 56 57 58 59 60  
 FILE: .DGN

FTM: AIRTERM.DGN



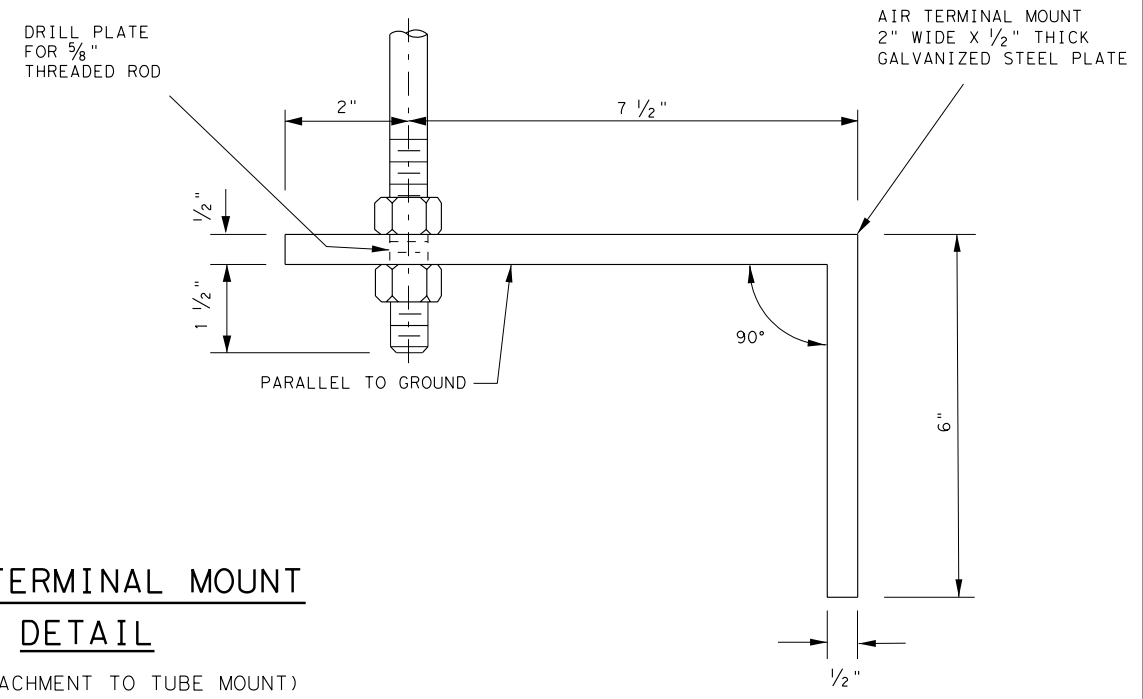
**AIR TERMINAL MOUNT  
 DETAIL**

(FOR ATTACHMENT TO CCTV POLE)



**AIR TERMINAL MOUNT  
 DETAIL**

(FOR ATTACHMENT TO TUBE MOUNT)



**AIR TERMINAL  
 MOUNTING DETAILS**

© 2004 Texas Department of Transportation

FED. RD. DIV. NO.	FEDERAL AID PROJECT NO.			SHEET NO.
6				
STATE	DIST.	COUNTY		
TEXAS	SAT	BEXAR		
CONT.	SECT.	JOB	HIGHWAY NO.	
10-01-02				
12-03-01				
07-11-00				
12-07-98				